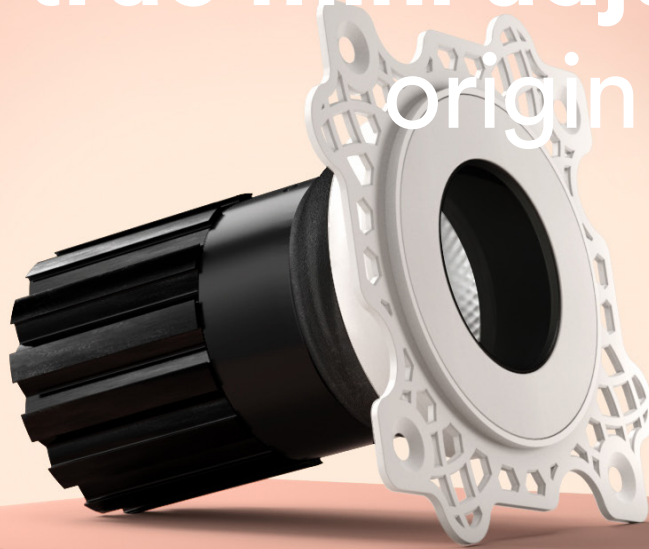
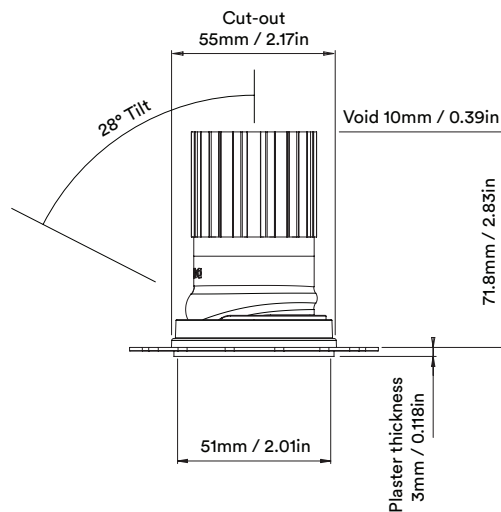
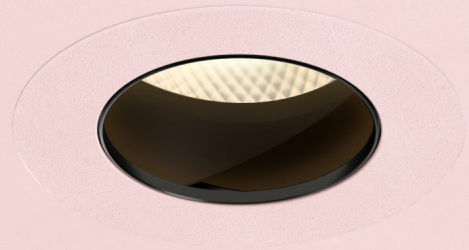


orluna

true mini adjustable origin natural



F III IP65 IP54 CE



true mini adjustable origin natural



| | | 2700K | | | | | |
|---------------------|------------------|-------------|---------------|-------------|-------------|----------------------|----------------------|
| | | SPOT | CRISP | | SOFT | SPECIALITY | |
| LIGHT VALUES | Beam Width FWHM | Spot 15° | Medium 18° | Wide 30° | Soft 35° | Elliptical 10x45° | Elliptical 20x40° |
| | Initial Lumens | 521 | 521 | 521 | 521 | 521 | 521 |
| | Engine Lumens | 207 | 462 | 462 | 417 | 222 | 290 |
| | Luminaire Lumens | 148 | 283 | 265 | 236 | 87 | 101 |
| | Engine Lm/W | 39 | 87 | 87 | 78 | 41 | 54 |
| | Luminaire Cd | 1706 | 1984 | 909 | 589 | 310 | 589 |
| | POWER | Voltage | 17.6V | | | | |
| Drive Current | | 300mA | | | | | |
| Circuit Power (typ) | | 5.3W | | | | | |

| | | 3000K | | | | | |
|---------------------|------------------|-------------|---------------|-------------|-------------|----------------------|----------------------|
| | | SPOT | CRISP | | SOFT | SPECIALITY | |
| LIGHT VALUES | Beam Width FWHM | Spot 15° | Medium 18° | Wide 30° | Soft 35° | Elliptical 10x45° | Elliptical 20x40° |
| | Initial Lumens | 567 | 567 | 567 | 567 | 567 | 567 |
| | Engine Lumens | 236 | 483 | 475 | 442 | 192 | 176 |
| | Luminaire Lumens | 148 | 299 | 278 | 248 | 105 | 125 |
| | Engine Lm/W | 44 | 91 | 90 | 83 | 36 | 33 |
| | Luminaire Cd | 1849 | 2200 | 1000 | 615 | 328 | 610 |
| | POWER | Voltage | 17.6V | | | | |
| Drive Current | | 300mA | | | | | |
| Circuit Power (typ) | | 5.3W | | | | | |

| Binning SDCM (Hot) | 2 | | | | | | |
|-----------------------|-------------------------------|------------------------------------|--|--|--|--|--|
| CRI (typ)(R9) | 98 (99) | | | | | | |
| TM30 Rf Rg | Rf 97.7 Rg 100.4 | | | | | | |
| Lifetime (TM21) | L90 B5 50,000hrs (inc driver) | | | | | | |
| Lifetime (Calculated) | L70 426,000hrs | | | | | | |
| DRIVER | Protocols | Mains Dim / DALI / 0-10V / Non-dim | | | | | |
| | Dim to Dark | 0.1% Lux | | | | | |
| | Distance from LED | 20m / 65' (series wiring) | | | | | |
| | Emergency | Emergency packs available | | | | | |

SPECIFICATION CODE

| Engine type | Bezel | Colour Temp | Driver | Beam Width | Bezel Colour | Baffle Colour | Options |
|-------------|-------------|---|---|--|--|--|---|
| NL | TREM | 27 | M | M | W | BB | F 54 |
| | | 27 / 2700K 30 / 3000K 40 / 4000K* | M / Mains Dim D / DALI *0 / 0-10v N / Non Dim X / No Driver | M / Medium W / Wide T / Soft S / Spot L / Elliptical Linear O / Elliptical Oval | W / White 9010 (STD) D / White 9003 E / White 9016 B / Black 9005 C / Other RAL G / Polished Brass J / Antique Bronze K / Brushed Chrome L / Polished Chrome Z / Other Metallic | BB / Black 9005 (STD) WB / White 9010 DB / White 9003 EB / White 9016 CB / Other RAL MB / Polished Brass JB / Antique Bronze KB / Brushed Chrome LB / Polished Chrome ZB / Other Metallic | F / 60 min Fire Rated Plate 54 / IP54 65 / IP65 P / Sea & Spa IP65 H / Honeycomb N / Frosted Lens Z / LSZH Cable K / Click Connector |

*NOTE: increase 3000k by 7%

*NOTE: 0-10V driver does not fit through cut out, other drivers fit through the cut-out. Supplied with one driver per luminaire.