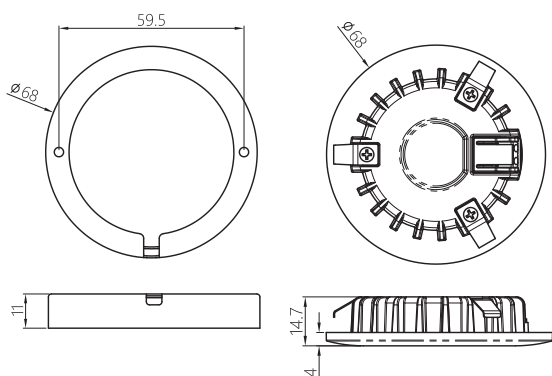




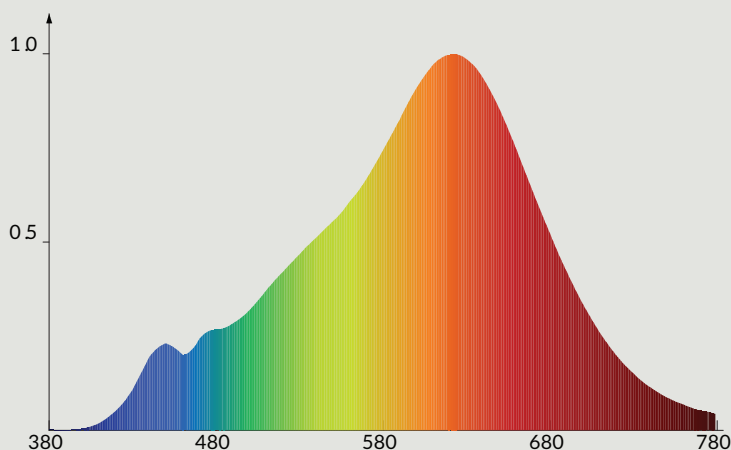
Designed in Great Britain



ELECTRICAL AND PHOTOMETRIC CHARACTERISTICS

Nominal wattage:	4W
Nominal voltage:	35V
Operating frequency:	50/60Hz
Inrush/Drive Current:	< 1 A
Power factor:	NA
Working temperature range:	-20°C ...+40°C
T-Case maximum	85°C
Starting time:	< 0.5 S
L70F20 lifetime at Ta: 25°C	40,000 hrs
Switching cycles:	> 100,000 times
Dimmable:	Yes
Beam angle:	60°
SDCM:	3 steps
Colour rendering index:	CRI97 Ra
Risk group (EN 62471:2008):	RG1

Full Spectrum BlueBalance®



* Exceeding maximum ratings for operating temperature and input voltage will reduce expected life time or destroy the product.