



L I G H T I N G



RAY MR16CC | CALM

MR16CC 6w constant current retrofit bulb featuring Full Spectrum violet chip technology.

FEATURES

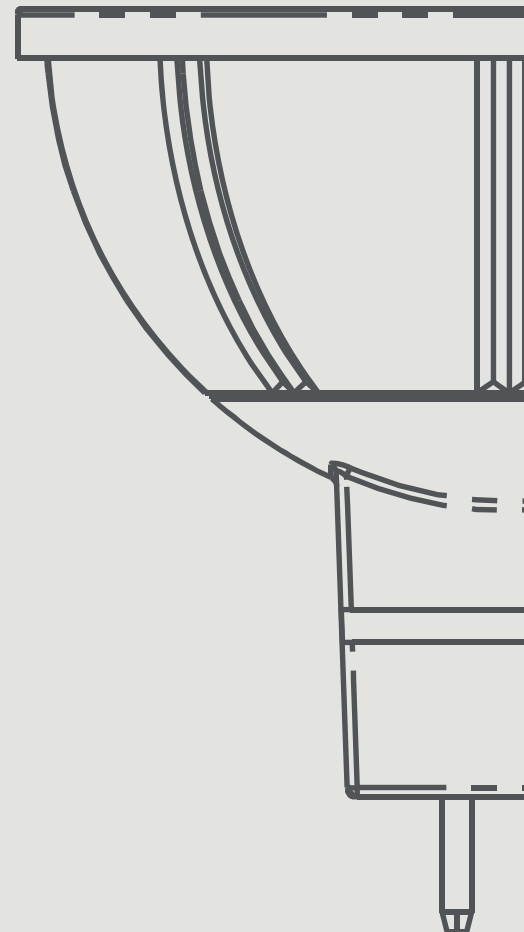
- BlueBalance light source
- Circadian friendly, humancentric output
- Flicker Free Bridging Technology
- Osram Reduced Ripple Dimmable driver
- Full Spectrum phosphor overlay
- SunRAY high efficiently lens for optimal beam control

PRODUCT INFORMATION

- Energy savings up to 82% compared to halogen MR16
- No UV & IR rays, environmentally friendly
- Lifetime up to 40,000hrs, covered by 5 years limited warranty
- Suitable for enclosed fixtures with ventilation
- Compliant with IEC/EN62471 photobiological safety standard

OPERATION AND MAINTENANCE TIPS

- Turn power off before inspection, installation or removal
 - Lamps should be kept free from contamination.
 - The product is not suitable for emergency lighting
 - Do not operate product with damaged parts
-
- **Not suitable for unvented light fixture**
If front black ring turns bronze this indicates lamp over heating due to unsuitable installation environment meaning warrantee will be void





Designed in Great Britain



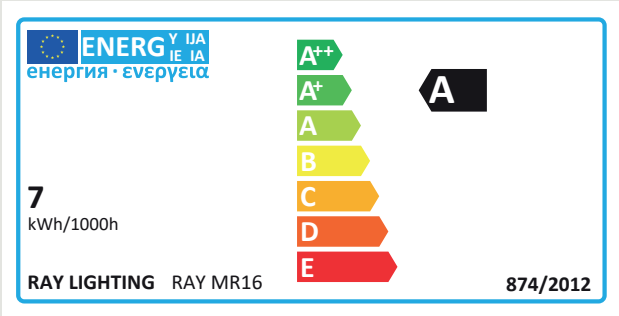
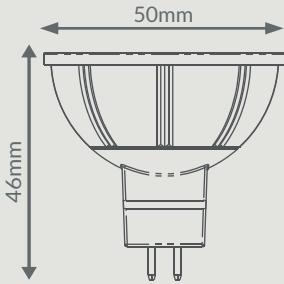
ELECTRICAL AND PHOTOMETRIC CHARACTERISTICS

Nominal wattage:	6.5 W
Nominal voltage:	36V DC
Input current:	< 180mA
Driver:	External driver
Driver type:	Constant Current
Working temperature range:	-20°C ...+40°C
T-Case maximum	90°C
Starting time:	< 0.5 S
L70F20 lifetime at Ta: 25°C	40,000 hrs
Switching cycles:	> 100,000 times
Dimmable:	Decided by driver
Beam angle:	10° / 25° / 38° / 60°
SDCM:	3 steps
Colour rendering index:	CRI97+
Risk group (EN 62471:2008):	RG1

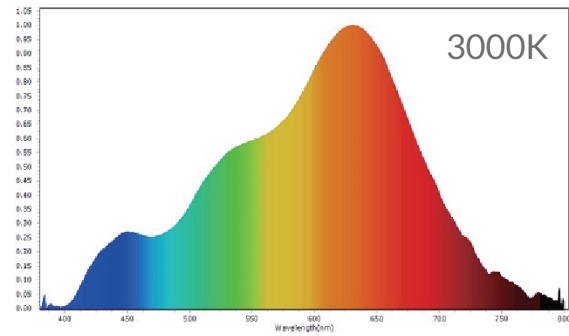
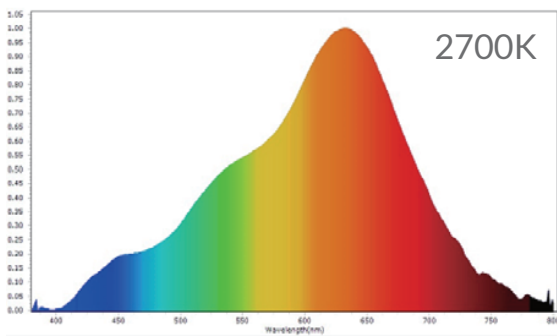
* Exceeding maximum ratings for operating temperature and input voltage will reduce expected life time or destroy the product.

SKU	Watt*	Volage	Current	CCT*	Avg Flux*	CRI*	Angle*	Driver
RR-WM5.3-CC-C-27-10-GB	6.5 W	180 Vdc	180 mA	2700 K	420 lm	Ra 97+	10°	External
RR-WM5.3-CC-C-27-25-GB	6.5 W	180 Vdc	180 mA	2700 K	420 lm	Ra 97+	25°	External
RR-WM5.3-CC-C-27-38-BB	6.5 W	180 Vdc	180 mA	2700 K	420 lm	Ra 97+	38°	External
RR-WM5.3-CC-C-27-60-BB	6.5 W	180 Vdc	180 mA	2700 K	420 lm	Ra 97+	60°	External
RR-WM5.3-CC-C-30-10-GB	6.5 W	180 Vdc	180 mA	3000 K	450 lm	Ra 97+	10°	External
RR-WM5.3-CC-C-30-25-GB	6.5 W	180 Vdc	180 mA	3000 K	450 lm	Ra 97+	25°	External
RR-WM5.3-CC-C-30-38-BB	6.5 W	180 Vdc	180 mA	3000 K	450 lm	Ra 97+	38°	External
RR-WM5.3-CC-C-30-60-BB	6.5 W	180 Vdc	180 mA	3000 K	450 lm	Ra 97+	60°	External

Precise values for individual bulbs may vary within a small range from the typical value due to the special conditions of the manufacturing process. RAY Lighting maintains a tolerance of +/-10% on flux and power measurements, and a +2 on CRI.



SPECTRAL DISTRIBUTION



LIFETIME

