



RAY ENGINE LOW PRO | DYNAMIC

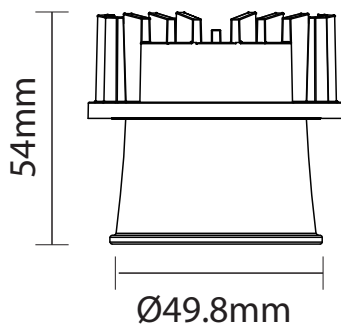


ELECTRICAL AND PHOTOMETRIC CHARACTERISTICS

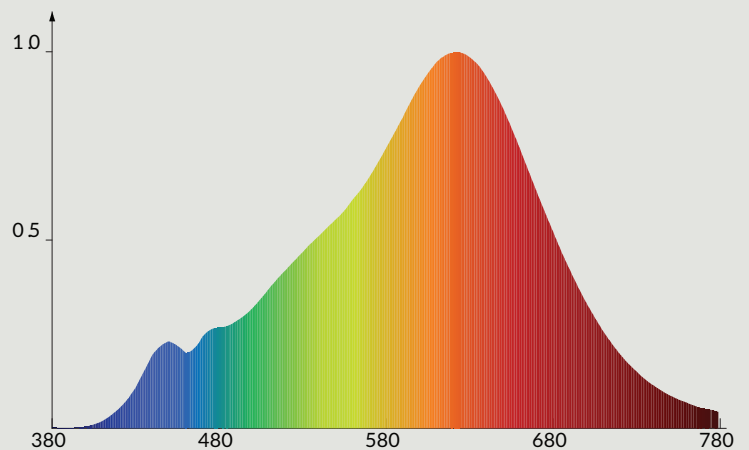
| | |
|-----------------------------|-----------------------|
| Nominal wattage: | 10W |
| Nominal voltage: | 36V DC |
| Input current: | < 180mA |
| Driver: | External driver |
| Driver type: | Constant Current |
| Working temperature range: | -20°C ...+40°C |
| T-Case maximum | 90°C |
| Starting time: | < 0.5 S |
| L70F20 lifetime at Ta: 25°C | 40,000 hrs |
| Switching cycles: | > 100,000 times |
| Dimmable: | Decided by driver |
| Beam angle: | 18° / 28° / 38° / 50° |
| SDCM: | 3 steps |
| Colour rendering index: | CRI98 |
| Risk group (EN 62471:2008): | RG1 |



Designed in Great Britain



Full Spectrum BlueBalance®



* Exceeding maximum ratings for operating temperature and input voltage will reduce expected life time or destroy the product.