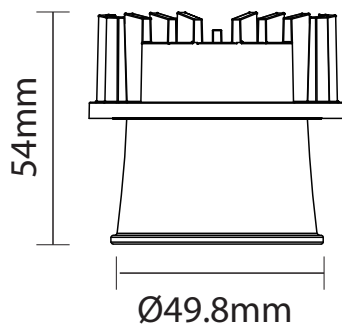




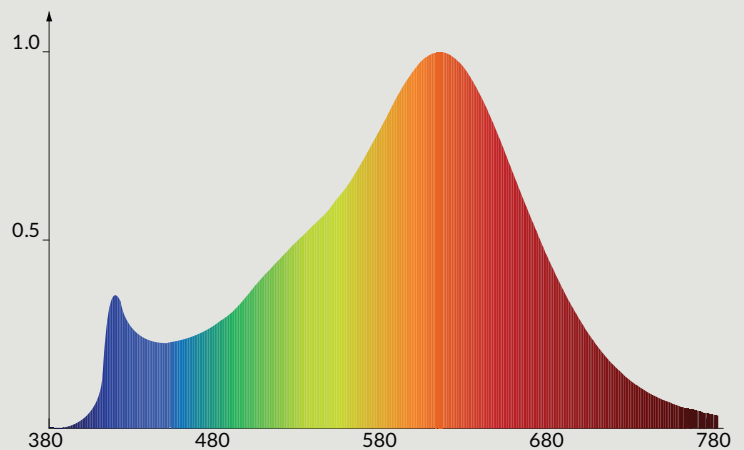
Designed in Great Britain



ELECTRICAL AND PHOTOMETRIC CHARACTERISTICS

Nominal wattage:	10W
Nominal voltage:	36V DC
Input current:	< 180mA
Driver:	External driver
Driver type:	Constant Current
Working temperature range:	-20°C ...+40°C
T-Case maximum	90°C
Starting time:	< 0.5 S
L70F20 lifetime at Ta: 25°C	40,000 hrs
Switching cycles:	> 100,000 times
Dimmable:	Decided by driver
Beam angle:	18° / 28° / 38° / 50°
SDCM:	3 steps
Colour rendering index:	CRI98
Risk group (EN 62471:2008):	RG1

Full Spectrum BlueBalance®



* Exceeding maximum ratings for operating temperature and input voltage will reduce expected life time or destroy the product.