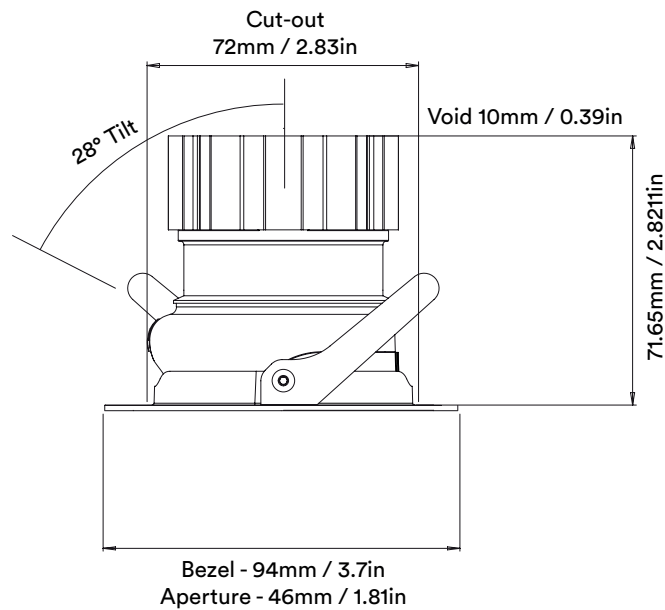
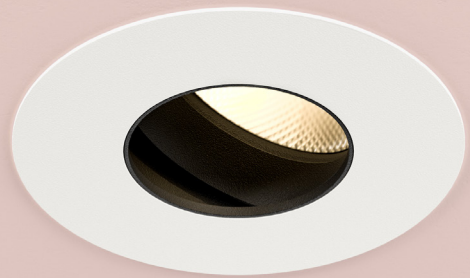
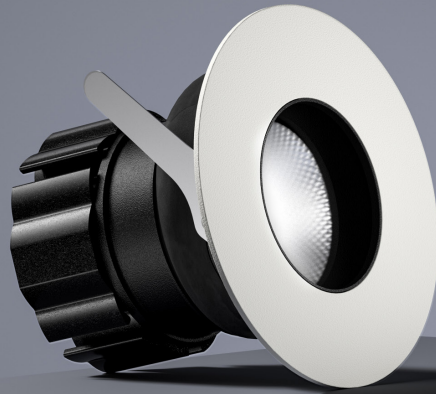


erluna

otto adjustable origin natural



Unit height increases by
21.65mm / 0.85in
for spot and elliptical beams

otto adjustable origin natural



		2700K										
		SPOT			SOFT				SPECIALITY			
LIGHT VALUES	Beam Width FWHM	Ultra 8°	Spot 10°	Narrow 14°	Medium 26°	Wide 41°	Flood 48°	Wash 55°	Crisp 35°	Elliptical 10x45°	Elliptical 20x40°	
		Initial Lumens	533	953	1021	1021	1021	1021	1021	1021	953	953
		Engine Lumens	223	357	379	871	859	802	836	861	266	290
		Luminaire Lumens	195	351	379	588	596	576	600	639	210	252
		Engine Lm/W	29	29	33	76	75	70	73	76	22	24
		Luminaire Cd	7065	9911	5795	2008	1147	864	712	1665	768	1414
POWER	Voltage	36V	36V	34V				36V				
	Drive Current	180mA	300mA	300mA				300mA				
	Circuit Power (typ)	7.8W	12.2W	11.4W				12.2W				

		3000K										
		SPOT			SOFT				SPECIALITY			
LIGHT VALUES	Beam Width FWHM	Ultra 8°	Spot 10°	Narrow 14°	Medium 26°	Wide 41°	Flood 48°	Wash 55°	Crisp 35°	Elliptical 10x45°	Elliptical 20x40°	
		Initial Lumens	637	984	1138	1138	1138	1138	1138	1138	984	984
		Engine Lumens	223	368	401	947	944	897	909	943	235	274
		Luminaire Lumens	215	359	401	629	658	626	650	705	198	251
		Engine Lm/W	29	30	35	83	83	79	80	83	19	22
		Luminaire Cd	8274	9755	6702	2206	1260	938	789	1859	744	1408
POWER	Voltage	36V	36V	34V				36V				
	Drive Current	180mA	300mA	300mA				300mA				
	Circuit Power (typ)	7.8W	12.2W	11.4W				12.2W				

Binning SDCM (Hot)	2
CRI (typ)(R9)	98 (99)
TM30 Rf Rg	Rf 97.7 Rg 100.4
Lifetime (TM21)	L90 B5 50,000hrs (inc driver)
Lifetime (Calculated)	L70 426,000hrs
Protocols	Mains Dim / DALI / 0-10V / Non-dim
Dim to Dark	0.1% Lux
Distance from LED	20m / 65' (series wiring)
Emergency	Emergency packs available

SPECIFICATION CODE

Engine type	Bezel	Colour Temp	Driver	Beam Width	Bezel Colour	Baffle Colour	Options
NL	- OTR	- 27	M	S	- W	- BB	- F 54 E
		27 / 2700K 30 / 3000K 40 / 4000K	M / Mains Dim D / DALI 0 / 0-10v N / Non Dim X / No Driver	U / Ultra S / Spot N / Narrow M / Medium W / Wide F / Flood H / Wash C / Crisp L / Elliptical Linear O / Elliptical Oval	W / White RAL 9010 D / White RAL 9003 E / White RAL 9016 B / Black RAL 9005 C / Other RAL G / Polished Brass J / Antique Bronze K / Brushed Chrome L / Polished Chrome I / Polished Copper Z / Other Metallic	BB / Black 9005 WB / White 9010 DB / White 9003 EB / White 9016 CB / Other RAL MB / Polished Brass JB / Antique Bronze KB / Brushed Chrome LB / Polished Chrome IB / Polished Copper ZB / Other Metallic	F / 60 min Fire Rated Plate 54 / IP54 65 / IP65 P / Sea & Spa IP65 *C / Constant Torsion T / Lockable Tilt & Rotate J / Plaster-In Plate E / 3hr Emergency H / Honeycomb N / Frosted Lens Z / LSZH Cable K / Click Connector

*NOTE: Fire Hood if used with constant torsion springs