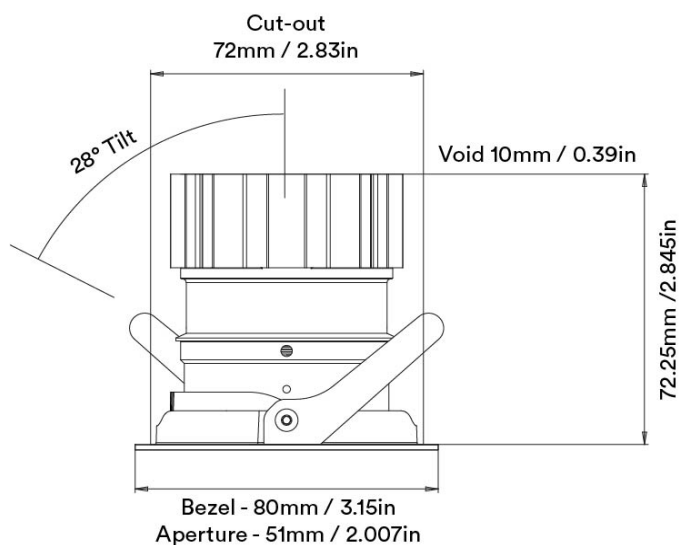
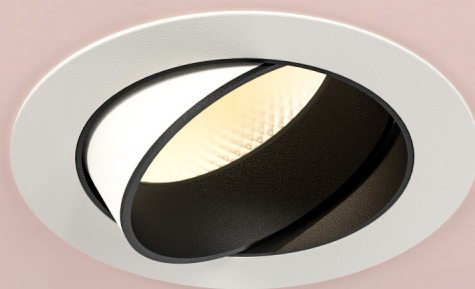


erluna

dino adjustable origin natural



Unit height increases by
21.65mm / 0.85in
for spot and elliptical beams

dino adjustable origin natural



| | | 2700K | | | | | | | | | |
|--------------|---------------------|-------------|-------------|---------------|---------------|-------------|--------------|-------------|--------------|----------------------|----------------------|
| | | SPOT | | | SOFT | | | | SPECIALITY | | |
| LIGHT VALUES | Beam Width FWHM | Ultra 8° | Spot 10° | Narrow 14° | Medium 26° | Wide 42° | Flood 50° | Wash 58° | Crisp 36° | Elliptical 10x45° | Elliptical 20x40° |
| | Initial Lumens | 533 | 953 | 1021 | 1021 | 1021 | 1021 | 1021 | 1021 | 953 | 953 |
| | Engine Lumens | 223 | 357 | 379 | 871 | 859 | 802 | 836 | 861 | 266 | 290 |
| | Luminaire Lumens | 195 | 351 | 379 | 635 | 650 | 610 | 651 | 691 | 210 | 252 |
| | Engine Lm/W | 29 | 29 | 33 | 76 | 75 | 70 | 73 | 76 | 22 | 24 |
| | Luminaire Cd | 7065 | 9911 | 5797 | 2068 | 1172 | 852 | 731 | 1698 | 768 | 1414 |
| POWER | Voltage | 36V | 36V | 34V | | | | 36V | | | |
| | Drive Current | 180mA | 300mA | 300mA | | | | 300mA | | | |
| | Circuit Power (typ) | 7.8W | 12.2W | 11.4W | | | | 12.2W | | | |

| | | 3000K | | | | | | | | | |
|--------------|---------------------|-------------|-------------|---------------|---------------|-------------|--------------|-------------|--------------|----------------------|----------------------|
| | | SPOT | | | SOFT | | | | SPECIALITY | | |
| LIGHT VALUES | Beam Width FWHM | Ultra 8° | Spot 10° | Narrow 14° | Medium 26° | Wide 42° | Flood 50° | Wash 58° | Crisp 35° | Elliptical 10x45° | Elliptical 20x40° |
| | Initial Lumens | 637 | 984 | 1138 | 1138 | 1138 | 1138 | 1138 | 1138 | 935 | 935 |
| | Engine Lumens | 223 | 368 | 401 | 947 | 944 | 897 | 909 | 943 | 235 | 274 |
| | Luminaire Lumens | 215 | 359 | 401 | 685 | 715 | 686 | 727 | 762 | 198 | 251 |
| | Engine Lm/W | 29 | 30 | 35 | 83 | 83 | 79 | 80 | 83 | 19 | 22 |
| | Luminaire Cd | 8274 | 9755 | 6702 | 2271 | 1327 | 989 | 838 | 1954 | 744 | 1408 |
| POWER | Voltage | 36V | 36V | 34V | | | | 36V | | | |
| | Drive Current | 180mA | 300mA | 300mA | | | | 300mA | | | |
| | Circuit Power (typ) | 7.8W | 12.2W | 11.4W | | | | 12.2W | | | |

| Binning SDCM (Hot) | 2 | | | | | | | | | | |
|-----------------------|-------------------------------|------------------------------------|--|--|--|--|--|--|--|--|--|
| CRI (typ)(R9) | 98 (99) | | | | | | | | | | |
| TM30 Rf Rg | Rf 97.7 Rg 100.4 | | | | | | | | | | |
| Lifetime (TM21) | L90 B5 50,000hrs (inc driver) | | | | | | | | | | |
| Lifetime (Calculated) | L70 426,000hrs | | | | | | | | | | |
| DRIVER | Protocols | Mains Dim / DALI / 0-10V / Non-dim | | | | | | | | | |
| | Dim to Dark | 0.1% Lux | | | | | | | | | |
| | Distance from LED | 20m / 65' (series wiring) | | | | | | | | | |
| | Emergency | Emergency packs available | | | | | | | | | |

SPECIFICATION CODE

| Engine type | Bezel | Colour Temp | Driver | Beam Width | Bezel Colour | Baffle Colour | Options |
|-------------|-------|--|--|---|---|--|---|
| NL | DIR | 27 | M | S | W | BB | F 54 E |
| | | 27 / 2700K 30 / 3000K 40 / 4000K | M / Mains Dim D / DALI 0 / 0-10v N / Non Dim X / No Driver | U / Ultra S / Spot N / Narrow M / Medium W / Wide F / Flood H / Wash C / Crisp L / Elliptical Linear O / Elliptical Oval | W / White RAL 9010 D / White RAL 9003 E / White RAL 9016 B / Black RAL 9005 C / Other RAL G / Polished Brass J / Antique Bronze K / Brushed Chrome L / Polished Chrome I / Polished Copper Z / Other Metallic | BB / Black 9005 WB / White 9010 DB / White 9003 EB / White 9016 CB / Other RAL MB / Polished Brass JB / Antique Bronze KB / Brushed Chrome LB / Polished Chrome IB / Polished Copper ZB / Other Metallic | F / 60 min Fire Rated Plate 54 / IP54 65 / IP65 P / Sea & Spa IP65 *C / Constant Torsion T / Lockable Tilt & Rotate J / Plaster-In Plate E / 3hr Emergency H / Honeycomb N / Frosted Lens Z / LSZH Cable K / Click Connector |

*NOTE: Fire Hood if used with constant torsion springs