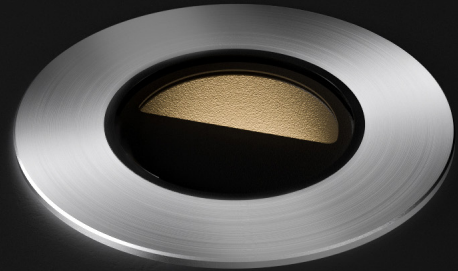
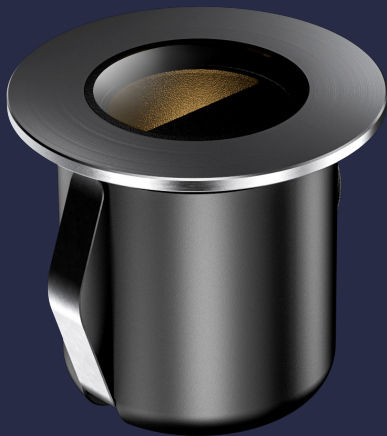
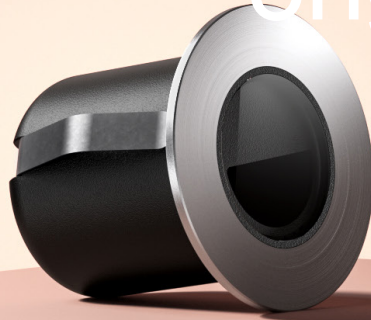
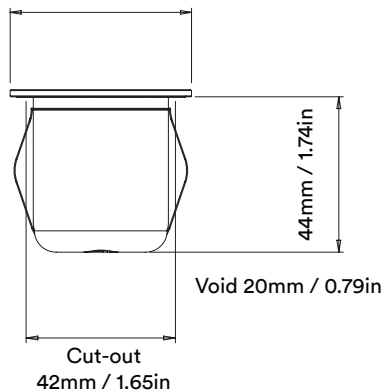


erluna

alta mini origin natural



Bezel - 51mm / 2in
Aperture - 27.6mm / 1.09in



alta mini origin natural

orluna

	2700K		
	SOFT		
	Narrow	Wide	
LIGHT VALUES	Beam Width FWHM	22°	33°
	Initial Lumens	104	104
	Engine Lumens	N/A	N/A
	Luminaire Lumens	54	68
	Luminaire Lm/W	54	68
	Luminaire Cd	305	200
POWER	Voltage	9V	
	Drive Current	120mA	
	Circuit Power (typ)	1W	

	3000K		
	SOFT		
	Narrow	Wide	
LIGHT VALUES	Beam Width FWHM	22°	33°
	Initial Lumens	111	111
	Engine Lumens	N/A	N/A
	Luminaire Lumens	56	71
	Luminaire Lm/W	56	71
	Luminaire Cd	349	205
POWER	Voltage	9V	
	Drive Current	120mA	
	Circuit Power (typ)	1W	

DRIVER	Binning SDCM (Hot)	3
	CRI (typ)(R9)	98 (99)
	TM30 Rf Rg	Rf 97.7 Rg 100.4
	Lifetime (TM21)	L90 B5 50,000hrs (inc driver)
	Lifetime (Calculated)	L70 120,000hrs
	Protocols	Mains Dim / DALI / 0-10V / Non-dim
Dim to Dark	0.1% Lux	
Distance from LED	20m / 65' (series wiring)	
Emergency	N/A	

NUMBER OF LIGHTS PER DRIVER

Protocols	Code	No of lights per driver
DALI	D - 120	1 - 4
0-10	0 - 120	1-4
Mains	M - 120	2 only*1
Mains	M - 120	3-4*2

*1 <1% Dimming
*2 >3% Dimming

SPECIFICATION CODE

Engine type	Bezel	Colour Temp	Driver	Beam Width	Bezel Colour	Baffle Colour	Options
NL	-ATM-	27	X	N	- SS -	BB	54
		27 / 2700K 30 / 3000K *40 / 4000K	X / No Driver	N / Narrow W / Wide	SS / Stainless steel*1 W / White 9010*1 D / White 9003*1 A / Black anodised*1 G / Polished Brass*2 J / Antique Bronze*2 K / Brushed Chrome*2 L / Polished Chrome*2 F / Satin grey*3 P / Brushed Brass*3 Z / Other Metallic *3 C / Other RAL *3	BB / Black anodised	54 / IP54 67 / IP67* P / Sea & Spa IP67 Z / LSZH Cable I / Installation sleeve Q / Kicker optic Y / 10m Cable - 1m standard
		*NOTE: increase 3000k by 7%			*1 - standard, in stock *2 - premium, in stock *3 - premium, non-stock		*NOTE: IP67 only available in Stainless Steel, Anodised Black, Satin grey and Brushed Brass